



ugo basile®

TRANSFORMING IDEAS  
INTO INSTRUMENTS

www.ugobasile.com

BLOOD PRESSURE, VITAL FUNCTIONS

## Blood Pressure Transducer (invasive)

Cat. No. 17844

Easy to fill

High accuracy

Robust, reusable  
transducer

### Typical Applications

- Arterial or venous blood pressure measurement
- Connects to Data Acquisition Systems or Chart Recorders
- Urodynamic measurement
- Intrauterine Pressure Measurement
- Intracranial Pressure Measurement
- Catheterization
- Intensive Care Unit



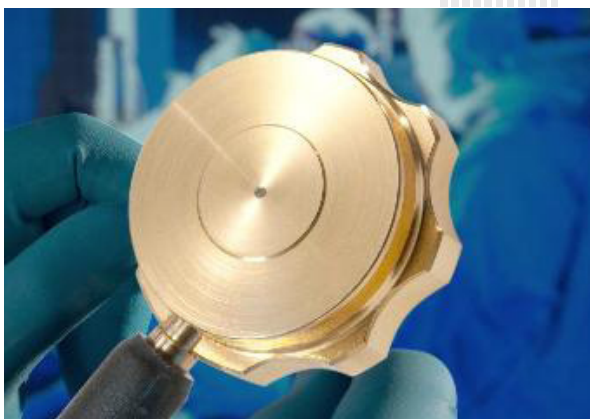
### Main Features

- MPG Klasse II b, CE 0470
- Gold plated for easier cleaning
- Only wiping cleaning necessary
- Disinfection/Sterilisation with VIRKON (10 to 30 min) possible
- Short adapter cable with transducer + separate monitor cable
- Dome with "Snap-on" coupling
- Very high frequency response
- High overload protection (10.000 mm/Hg)
- Dome dry-coupled to the transducer

Ugo Basile: more than 25,000 citations

## Specifications

<b>Pressure Range</b>	-20...+300mmHg
<b>Overpressure max.</b>	10 000mmHg
<b>Sensitivity</b>	50 $\mu$ V/V/cmHg
<b>Resonance Frequency</b>	300Hz typical (Transducer and Dome)
<b>Electrical Excitation max.</b>	15V DC or AC
<b>Input Resistance (Input)</b>	7000ohm
<b>Output Resistance (Output)</b>	10000ohm
<b>Non-Linearity &amp; Hysteresis</b>	max. 0.5% FS
<b>Zero Balance</b>	max. $\pm$ 30mm/Hg
<b>Thermal Sensitivity Shift</b>	0.15% / °C
<b>Thermal Zero Shift</b>	max. 0.25mm/Hg/°C
<b>Operating Temperature Range</b>	+10...+50°C
<b>Storage Temperature Range</b>	-20...+70°C
<b>Insulation Resistance</b>	min. 103MOhm
<b>Leakage Current</b>	max. 1.5 $\mu$ A at 250V-50Hz
<b>High Voltage Resistance</b>	10KV between Dome and Transducer
<b>Length of Adapter Cable</b>	ca. 30cm
<b>Length of Monitor cable</b>	ca.250cm
<b>Connector</b>	see "compatibility"



## Compatibility

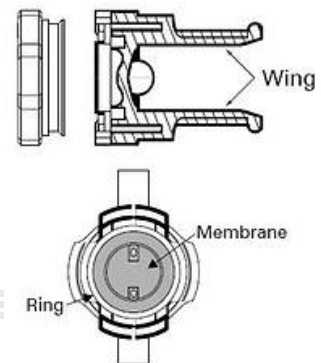
**Before ordering, check the connection compatibility** of your amplifier/recording System.

The Pressure Transducers are normally supplied with a connector (type -F) designed for Ugo Basile **DataCapsule-Evo Recorder** (see datasheet).

If the customer wishes to make use of other recording apparatus, the transducers can be supplied with appropriate connector on request: we will be glad to provide transducers with different connectors, if available, or to provide wiring information and instruction.

## Domes

The 17844 is provided with a dome provided with with stop cock. The dome has wings, for easy fitting on the transducer.



The dome should be filled bubbleless at max. pressure of 50mmHg

## Ordering Information

**17844** Pressure Transducer "Sensoror", type SP-844, complete with one dome 17844-001 lodged in its plastic case.

### Accessories

**17844-001** Clear Polycarbonate Dome (with Luer-Lock Fitting), complete with 3-way stopcock

**17844-002** Set of 10 Clear Polycarbonate Dome (with Luer-Lock Fitting), complete with 3-way stopcock



### Physical

Weight	0.024Kg (without cable) 0.2Kg (with cable)
Shipping Weight	0.4Kg
Shipping Dimensions	46x38x27cm