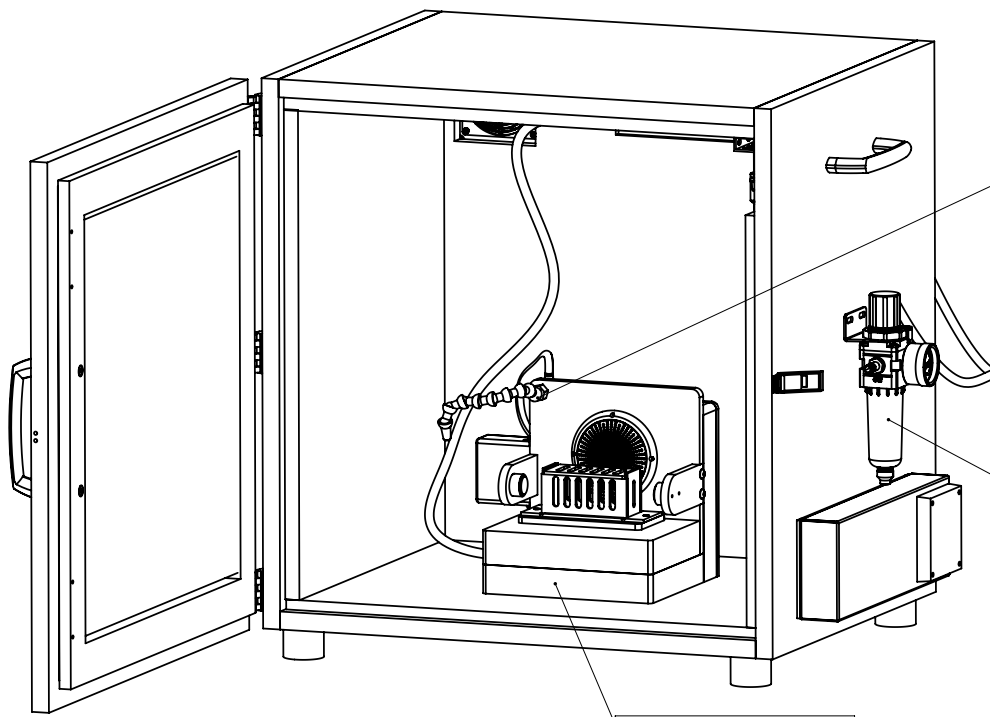


Assembling manual Startle PPI

Dec 2021 Revision 2.0



Behaviour
Conditioning



SKU: 48163



ugo basile®
TRANSFORMING IDEAS
INTO INSTRUMENTS

Register Your LUX 100 NOW to
get a free 12 additional warranty
months

register.ugobasile.com



SAFETY CONSIDERATIONS

Although this instrument has been designed with international safety standard, this manual contains information, cautions and warnings which must be followed to ensure safe operation and to retain the instrument in safe conditions.

Service and adjustments should be carried out by qualified personnel, authorized by ugo basile organization.

Any adjustment, maintenance and repair of the opened instrument under voltage should be avoided as much as possible and, when inevitable, should be carried out by a skilled person who is aware of the hazard involved.

Capacitors inside the instrument may still be charged even if the instrument has been disconnected from its source of supply.



ugo basile®

TRANSFORMING IDEAS
INTO INSTRUMENTS

Your science, our devices
More than 35.000 citations



ugo basile®

TRANSFORMING IDEAS
INTO INSTRUMENTS

CE CONFORMITY STATEMENT

Manufacturer **UGO BASILE Srl**

Address Via G. di Vittorio, 2 – 21036 Gemonio, VA, ITALY

Phone n. +39 0332 744574

Fax n. +39 0332 745488

We hereby declare that

Instrument: **Startle PPI**

Catalog number: **48163**

*is manufactured in compliance with the following European Union Directives
and relevant harmonized standards*

- *2014/35/UE relating to electrical equipment designed for use within certain voltage limits*
- *2014/30/UE relating to electromagnetic compatibility*
- *2011/65/UE and 2015/863/UE on the restriction of the use of certain hazardous substances in electrical and electronic equipment*

Account Manager

Mauro Uboldi

Nome / Name

December 2021

Date

Firma / Signature

SKU: 48163

In the Startle PPI package You will find the following items:

- 1 Standard isolation cubicle
- 1 Startle PPI device
- 1 Animal cage (restrainer)
- 2 Power supply units with power cords
- 1 Startle PPI Interface box
- 1 USB cable 2m
- 1 USB cable 5m
- 5 Connection cables
- 1 Flat cable TTL
- 4 m transparent pipe
- 1 USB memory key, which contain the Startle PPI software

1 Installation

1.1 Unpacking & preliminary check

Check the content of the shipment for completeness and visually inspect the instrument as soon as you take it out of the packaging.

If the box looks damaged, inform the carrier and provide a conditional signature (not a full signature).

Once unpacking, if the instrument is damaged, notify our company, by writing an email to support@ugobasile.com

If after a test, the instrument fails to meet the expected behaviour and performance, please contact our after sales service at sales@ugobasile.com.

Protect the environment: dispose of packaging properly, according to existing and applicable waste management rules and regulation.

Remove the device from the package and remove all the packaging material from the device.

1.2 Notes on the assembling manual

This instruction manual included in the box and is necessary for a correct installation of the instrument.

Please save the manual, keep it ready to be consulted by the qualified personnel using the instrument.

Our manuals are available as free download on our web site, www.ugobasile.com

For any additional information and/or assistance, you are welcome to contact our service department, first of all by specifying the serial number of your instrument
service@ugobasile.com

Startle PPI Support QR code:



1.3 Safety instruction

The following guide lines must be followed to ensure safe operation:

DO NOT attempt to open or perform any service work before having contacted Ugo Basile support team

DO NOT use the device on human subjects

Pay attention while this device can emit a very loud sound at low and high frequencies that can damage human and animal auricle; always close the sound isolation cubicle door before running the test.

1.4 Intended use

The Startle PPI is intended for investigation use on laboratory animal only.

1.5 Additional safety consideration

Use original accessories and spare parts only

Immediately disconnect and replace damaged main cord

Do not operate in hazardous environment or outside prescribed environmental limitation

Do not spray any liquid on the connectors, or other parts

Ugo Basile cannot in any way and form be held responsible for damage caused to things and people and warranty will be void, due to:

Incorrect electrical supply

Incorrect installation procedure

Incorrect or improper use or, in any case, not in accordance with the purpose for which the instrument has been designed and the warnings stated in the instruction manual supplied with the instrument

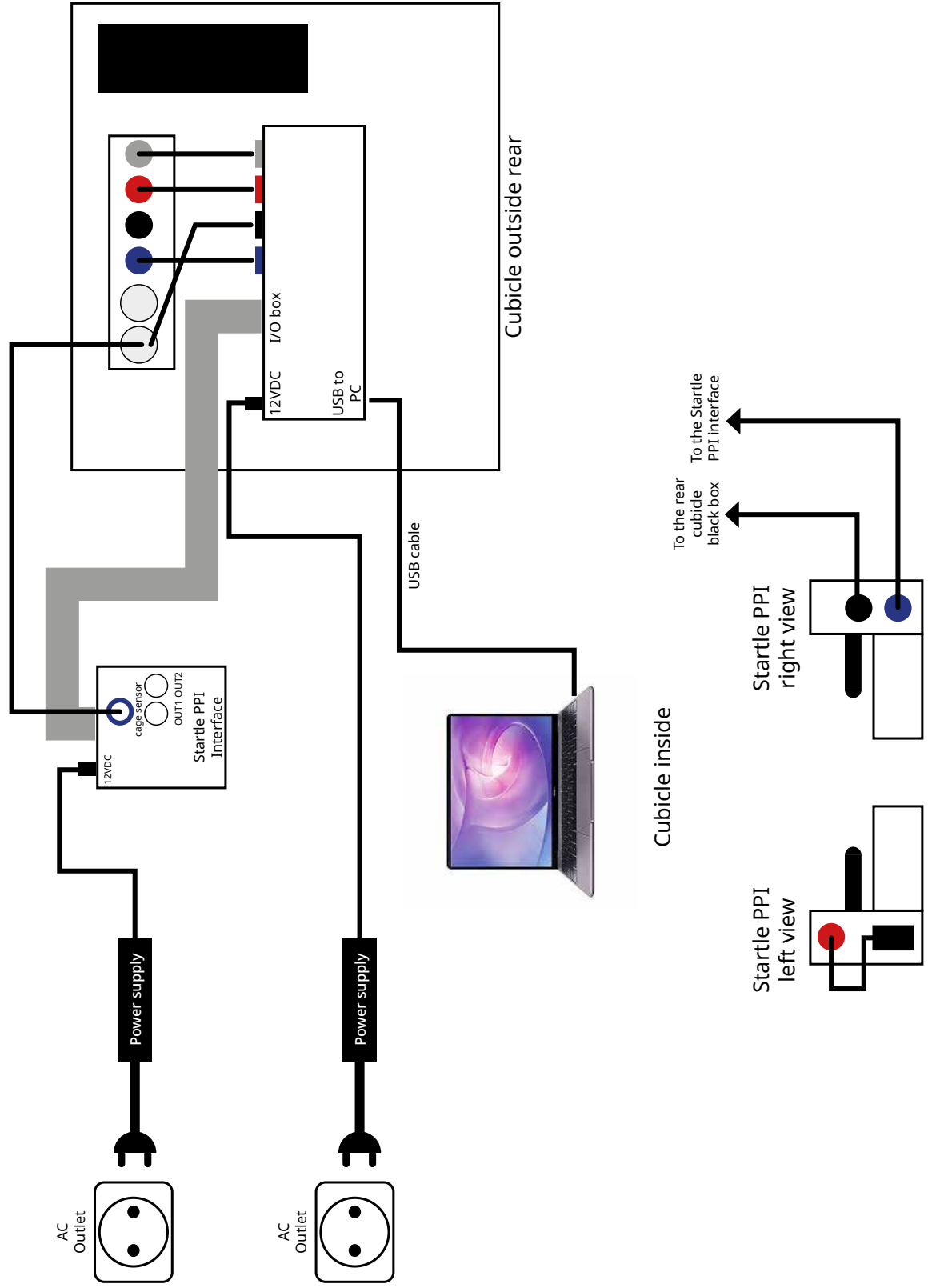
Replacement of original component, accessories or parts with others not approved by the manufacturer

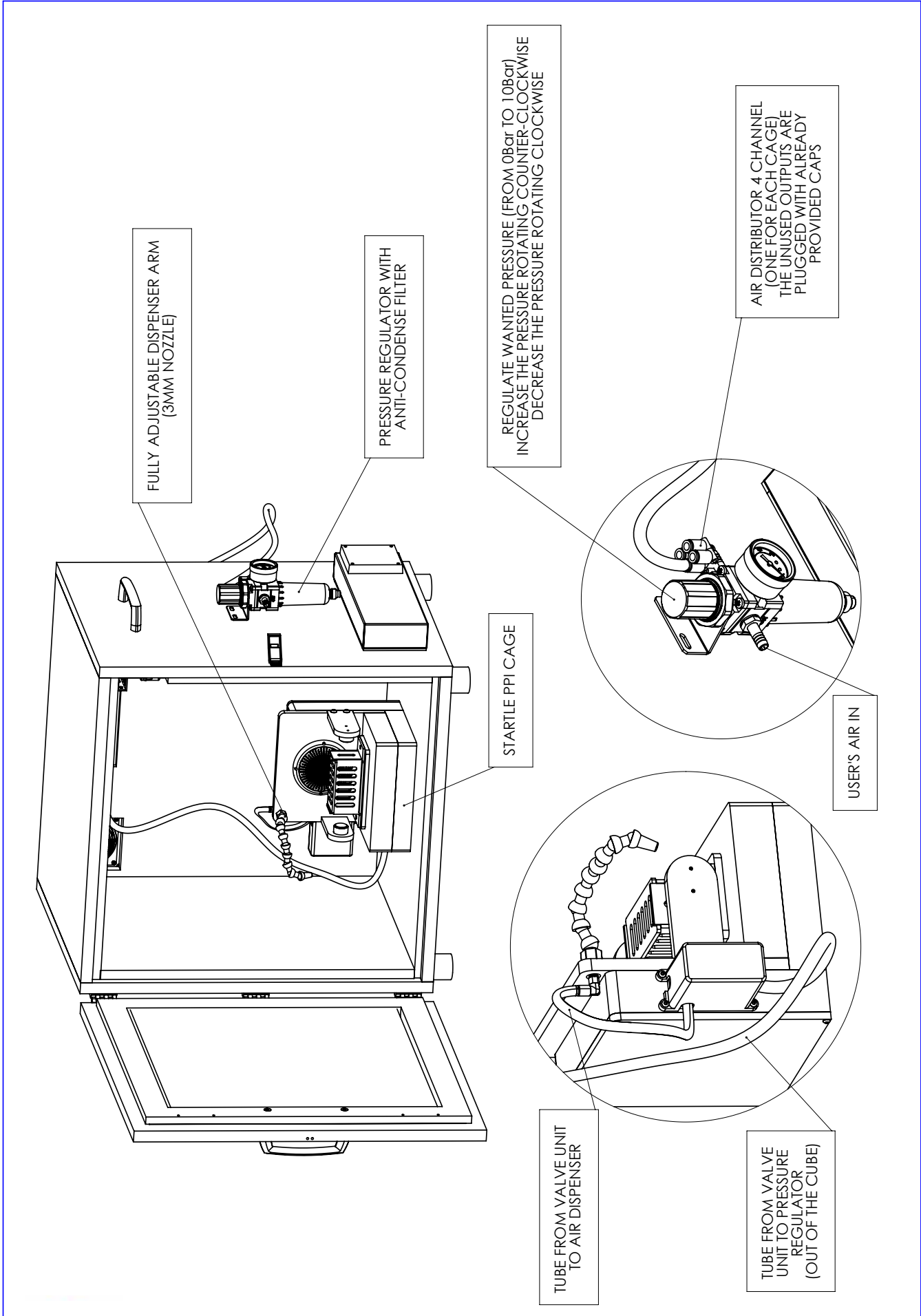
Servicing carried out by unauthorized personnel

1.6 Assembling the instrument

- Place the isolation cubicle on a flat surface (usually on a desk) pay attention to leave a minimum of 15 cm space around the rear, the left and the right side of it, to avoid air obstruction.
- Place the Startle PPI cage inside the isolation cubicle in the centre of the floor.
- Make the correct electric and pneumatic connection according to the following diagram:

Startle PPI Connection diagram (Dec 2021)





1.7 Installing the Startle PPI software

Startle PPI software system requirement:

	Minimum	Recommended
CPU	Intel i7	Intel i9
Memory (RAM)	8 gb	16 gb
Storage (free space)	1 GB	10 GB
Monitor	1024 x 768	1920 x 1080
Operative system	Microsoft Windows 10 64bit	Microsoft Windows 10 64bit
Keyboard	Yes	Yes
Mouse	Yes	Yes
USB port	1 free (USB 2.0)	1 free (USB 2.0)

You will find the software install kit inside the provided USB memory key. In the folder "Startle PPI 2.0" launch the file setup.exe to install the software on Your PC. Follow the installation instruction on screen.