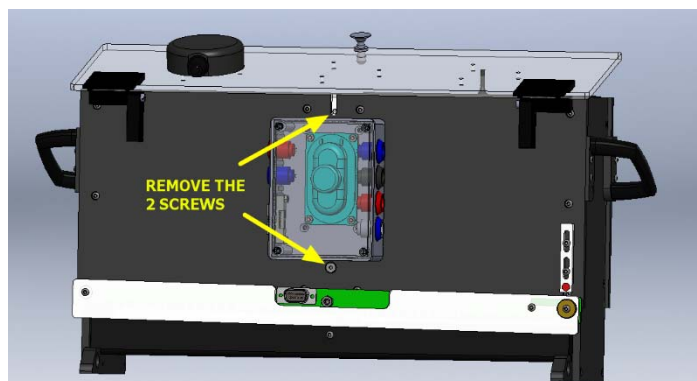


Active/Passive Avoidance Transformation KIT

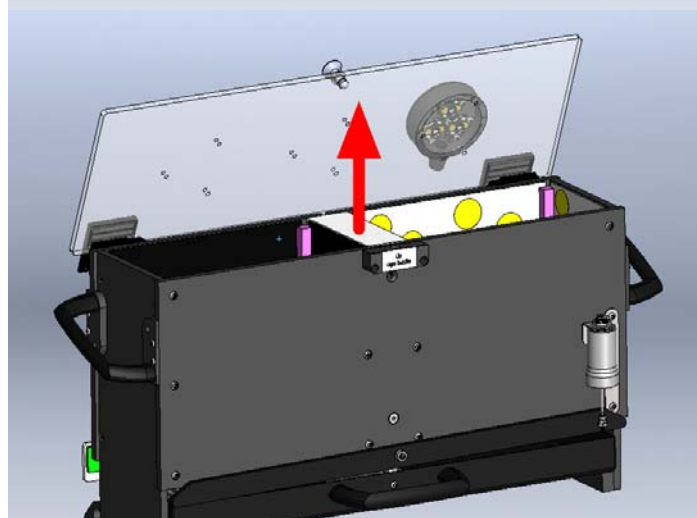
UGO BASILE s.r.l.

HEWLETT-PACKARD COMPANY

Remove the 2 screws

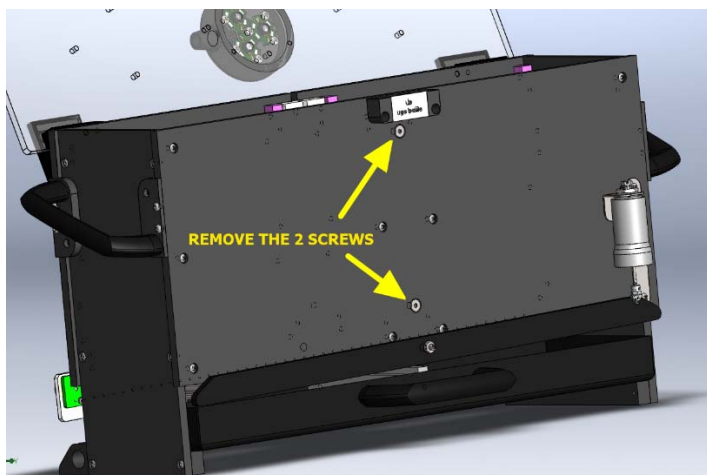


Remove the door assembly

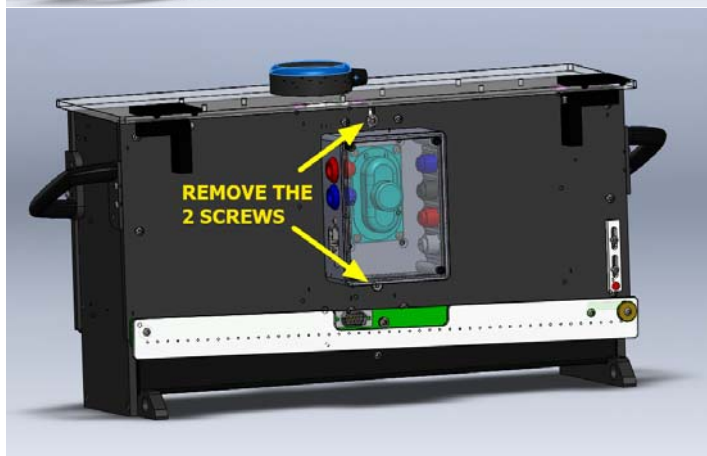


ACTIVE AVOIDANCE CAGE: HOW TO REMOVE THE GRAY PARTITION

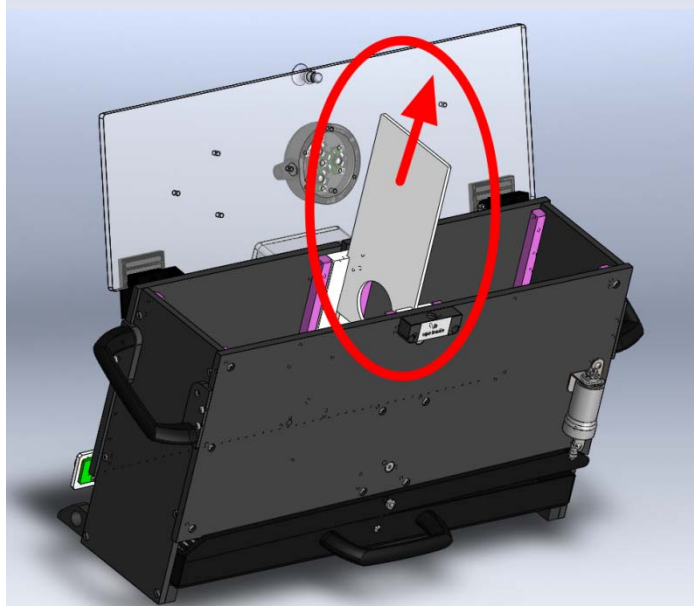
Remove the 2 screws



Remove the 2 screws



Lift the wall then remove the rails



ACTIVE/PASSIVE AVOIDANCE CAGE: HOW TO MOVE THE LED LAMP

Remove the 3 screws



Place the led lamp in the center of the transparent top if you need an Active Avoidance cage.

Place the led lamp above the white chamber if you need a Passive Avoidance cage.

ACTIVE/PASSIVE AVOIDANCE CAGE: CORRECT SHOCK SETTING

IMPORTANT!



Active and Passive avoidance cages have different shock settings. **It is essential to set the shock correctly!**

To set the correct shock for either cage, act on the micro-switch on the back of the cage, as follows:

- **ACTIVE AVOIDANCE:**
all 8 switches in ON position (UP)
- **PASSIVE AVOIDANCE:**
all 8 switches in OFF position (DOWN)

